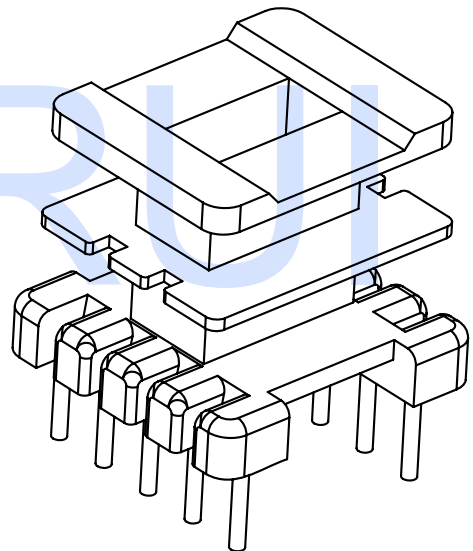
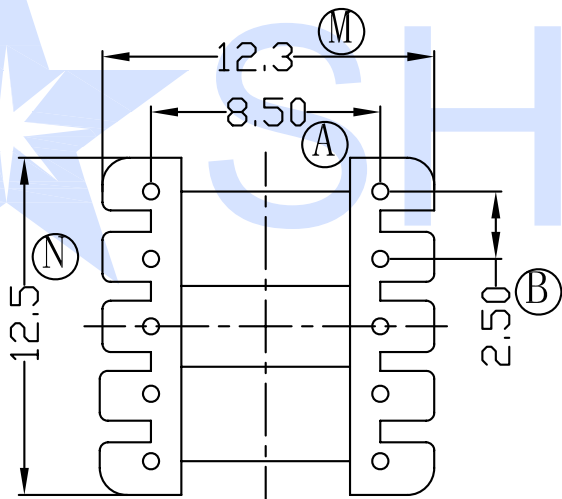
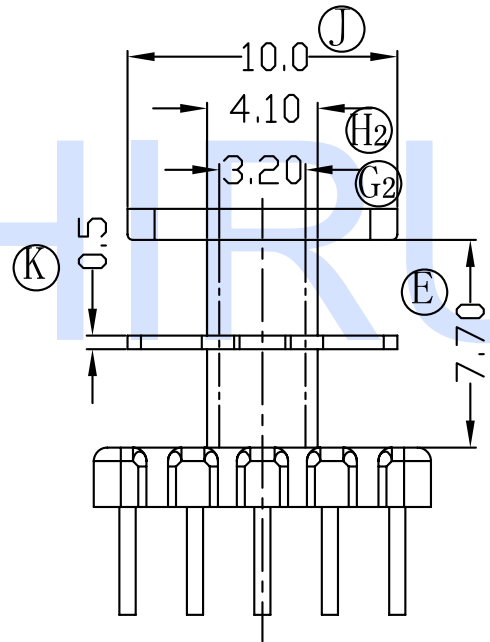
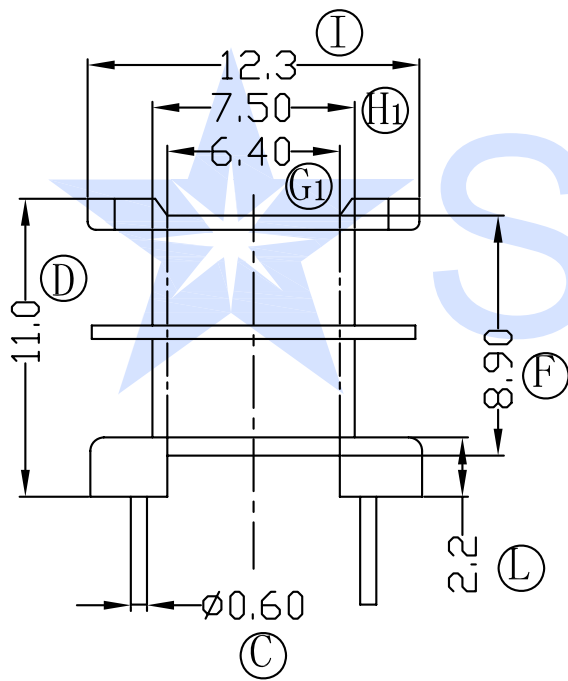


P/N

SR-EI 1302-1



Hefei Shirui Electronic Technology Co., Ltd

TEL: (0086) 55165232650

sales@shiruitech.com

www.shiruitech.com

SR NO.

SR-EI 1302-1

MATERIAL:

PHENOLIC

UNIT: mm

TOLERANCE

DRN.

WILL H

MODEL NAME:

EI13-10P-2S V

UL REC: UL 94V-0

ANGLE: \pm °



SCALE 1:1

0 L 4 ± 0.10

4 L 16 ± 0.20

16 L 64 ± 0.30

PIN PITCH ± 0.05

CHD.

IRINA LEE

ISSD.

JAMES HU